

Unilin Insulation UK Limited

Park Road,
Holmewood Industrial Park,
Holmewood, Chesterfield,
Derbyshire, S42 5UY

Tel: 0371 222 1033

e-mail: info.ui@unilin.com

website: www.unilininsulation.co.uk



Agrément Certificate

23/6884

Product Sheet 2 Issue 1

UNILIN SAFE-R INSULATION

UNILIN SAFE-R PARTIAL FILL CAVITY (SR/CW) BOARD

This Agrément Certificate Product Sheet⁽¹⁾ relates to Unilin Safe-R Partial Fill Cavity (SR/CW) Board, comprising a rigid phenolic (PF) foam board with a composite foil-facing on both sides, for use as partial fill insulation in external cavity walls with masonry inner and outer leaves, in new domestic or non-domestic buildings, with height restrictions in some cases.

(1) Hereinafter referred to as 'Certificate'.

The assessment includes

Product factors:

- compliance with Building Regulations
- compliance with additional regulatory or non-regulatory information where applicable
- evaluation against technical specifications
- assessment criteria and technical investigations
- uses and design considerations

Process factors:

- compliance with Scheme requirements
- installation, delivery, handling and storage
- production and quality controls
- maintenance and repair

Ongoing contractual Scheme elements†:

- regular assessment of production
- formal 3-yearly review



KEY FACTORS ASSESSED

- Section 1. Mechanical resistance and stability
- Section 2. Safety in case of fire
- Section 3. Hygiene, health and the environment
- Section 4. Safety and accessibility in use
- Section 5. Protection against noise
- Section 6. Energy economy and heat retention
- Section 7. Sustainable use of natural resources
- Section 8. Durability

The BBA has awarded this Certificate to the company named above for the product described herein. This product has been assessed by the BBA as being fit for its intended use provided it is installed, used and maintained as set out in this Certificate.

On behalf of the British Board of Agrément

Date of issue: 6 June 2023

Hardy Giesler
Chief Executive Officer

This BBA Agrément Certificate is issued under the BBA's Inspection Body accreditation to ISO/IEC 17020. Sections marked with † are not issued under accreditation.

The BBA is a UKAS accredited Inspection Body (No. 4345), Certification Body (No. 0113) and Testing Laboratory (No. 0357).

Readers MUST check that this is the latest issue of this Agrément Certificate by either referring to the BBA website or contacting the BBA directly.

The Certificate should be read in full as it may be misleading to read clauses in isolation.

Any photographs are for illustrative purposes only, do not constitute advice and should not be relied upon.

British Board of Agrément

1st Floor, Building 3, Hatters Lane
Croxley Park, Watford
Herts WD18 8YG

©2023

tel: 01923 665300
clientservices@bbacerts.co.uk
www.bbacerts.co.uk

SUMMARY OF ASSESSMENT AND COMPLIANCE

This section provides a summary of the assessment conclusions; readers should refer to the later sections of this Certificate for information about the assessments carried out.

Compliance with Regulations

Having assessed the key factors, the opinion of the BBA is that Unilin Safe-R Partial Fill Cavity (SR/CW) Board, if installed, used and maintained in accordance with this Certificate, can satisfy or contribute to satisfying the relevant requirements of the following Building Regulations:



The Building Regulations 2010 (England and Wales) (as amended)

| | |
|------------------------------|--|
| Requirement: B3(4) | Internal fire spread (structure) |
| Comment: | The product can contribute to satisfying this Requirement. See section 2 of this Certificate. |
| Requirement: B4(1) | External fire spread |
| Comment: | The product is restricted by this Requirement in some cases. See section 2 of this Certificate. |
| Requirement: C2(a) | Resistance to moisture |
| Comment: | The product can contribute to satisfying this Requirement. See section 3 of this Certificate. |
| Requirement: C2(b) | Resistance to moisture |
| Comment: | The product can contribute to satisfying this Requirement. See section 9 of this Certificate. |
| Requirement: C2(c) | Resistance to moisture |
| Comment: | The product can contribute to satisfying this Requirement. See sections 3 and 9 of this Certificate. |
| Requirement: L1(a)(i) | Conservation of fuel and power |
| Comment: | The product can contribute to satisfying this Requirement; however, compensating fabric measures may be required. See section 6 of this Certificate. |
| Regulation: 7(1) | Materials and workmanship |
| Comment: | The product is acceptable. See sections 8 and 9 of this Certificate. |
| Regulation: 7(2) | Materials and workmanship |
| Comment: | The product is restricted by this Regulation. See section 2 of this Certificate. |
| Regulation: 25B | Nearly zero-energy requirements for new buildings |
| Regulation: 26 | CO₂ emission rates for new buildings |
| Regulation: 26A | Fabric energy efficiency rates (applicable to England only) |
| Regulation: 26A | Primary energy efficiency rates for new buildings (applicable to Wales only) |
| Regulation: 26B | Fabric performance values for new dwellings (applicable to Wales only) |
| Regulation: 26C | Target primary energy rates for new buildings (applicable to England only) |
| Regulation: 26C | Energy efficiency rating (applicable to Wales only) |
| Comment: | The product can contribute to satisfying these Regulations; however, compensating fabric/services measures may be required. See section 6 of this Certificate. |



The Building (Scotland) Regulations 2004 (as amended)

| | | |
|--------------------|--------------|--|
| Regulation: | 8(1) | Fitness and durability of materials and workmanship |
| Comment: | | The product is acceptable. See sections 8 and 9 of this Certificate. |
| Regulation: | 8(3) | Fitness and durability of materials and workmanship |
| Comment: | | The product is restricted by this Regulation. See section 2 of this Certificate. |
| Regulation: | 9 | Building standards applicable to construction |
| Standard: | 2.4 | Cavities |
| Comment: | | The product can contribute to satisfying this Standard, with reference to clauses 2.4.2 ⁽¹⁾⁽²⁾ and 2.4.4 ⁽¹⁾⁽²⁾ . See section 2 of this Certificate. |
| Standard: | 2.6 | Spread to neighbouring buildings |
| Comment: | | The product is restricted by this Standard in some cases, with reference to clauses 2.6.5 ⁽¹⁾ and 2.6.6 ⁽²⁾ . See section 2 of this Certificate. |
| Standard: | 3.4 | Moisture from the ground |
| Comment: | | The product can contribute to satisfying this Standard, with reference to clauses 3.4.1 ⁽¹⁾⁽²⁾ and 3.4.5 ⁽¹⁾⁽²⁾ . See section 3 of this Certificate. |
| Standard: | 3.10 | Precipitation |
| Comment: | | The product can contribute to satisfying this Standard, with reference to clauses 3.10.1 ⁽¹⁾⁽²⁾ and 3.10.3 ⁽¹⁾⁽²⁾ . See section 9 of this Certificate. |
| Standard: | 3.15 | Condensation |
| Comment: | | The product can contribute to satisfying this Standard, with reference to clauses 3.15.1 ⁽¹⁾⁽²⁾ , 3.15.4 ⁽¹⁾⁽²⁾ and 3.15.5 ⁽¹⁾⁽²⁾ . See sections 3 and 9 of this Certificate. |
| Standard: | 6.1(b)(c)(d) | Energy demand and carbon dioxide emissions |
| Comment: | | The product can contribute to satisfying this Standard with reference to clauses 6.1.1 ⁽¹⁾ and 6.1.2 ⁽²⁾ ; however, compensating fabric/services measures may be required. See section 6 of this Certificate. |
| Standard: | 6.2 | Building insulation envelope |
| Comment: | | The product can contribute to satisfying this Standard with reference to clauses 6.2.1 ⁽¹⁾⁽²⁾ , 6.2.3 ⁽¹⁾ , 6.2.4 ⁽²⁾ , 6.2.8 ⁽¹⁾ , 6.2.9 ⁽²⁾ , and 6.2.12 ⁽¹⁾ ; however, compensating fabric measures may be required. See section 6 of this Certificate. |
| Standard: | 7.1(a)(b) | Statement of sustainability |
| Comment: | | The product can contribute to satisfying the relevant requirements of Regulation 9, Standards 1 to 6, and therefore will contribute to a construction meeting at least a bronze level of sustainability as defined in this Standard. In addition, the product can contribute to a construction meeting a higher level of sustainability as defined in this Standard, with reference to clauses 7.1.4 ⁽¹⁾ , 7.1.6 ⁽¹⁾⁽²⁾ , 7.1.7 ⁽¹⁾ , 7.1.9 ⁽²⁾ and 7.1.10 ⁽²⁾ . See section 6 of this Certificate. |
| Regulation: | 12 | Building standards applicable to conversions |
| Comment: | | All comments given for the product under Regulation 9, Standards 1 to 6, also apply to this Regulation, with reference to clause 0.12.1 ⁽¹⁾⁽²⁾ and Schedule 6 ⁽¹⁾⁽²⁾ . |

(1) Technical Handbook (Domestic).

(2) Technical Handbook (Non-Domestic).



The Building Regulations (Northern Ireland) 2012 (as amended)

| | | |
|--------------------|-------------------------|--|
| Regulation: | 23(1)(a)(i)(iii) | Fitness of materials and workmanship |
| Comment: | (b)(i)(ii) | The product is acceptable. See sections 8 and 9 of this Certificate. |
| Regulation: | 23(2) | Fitness of materials and workmanship |
| Comment: | | The product is restricted by this Regulation. See section 2 of this Certificate. |
| Regulation: | 28(a) | Resistance to moisture and weather |
| Comment: | | The product can contribute to satisfying this Regulation. See section 3 of this Certificate. |
| Regulation: | 28(b) | Resistance to moisture and weather |
| Comment: | | The product can contribute to satisfying this Regulation. See section 9 of this Certificate. |
| Regulation: | 29 | Condensation |
| Comment: | | The product can contribute to satisfying this Regulation. See sections 3 and 9 of this Certificate. |
| Regulation: | 35(4) | Internal fire spread - structure |
| Comment: | | The product can contribute to satisfying this Regulation. See section 2 of this Certificate. |
| Regulation: | 36(a) | External fire spread |
| Comment: | | The product is restricted by this Regulation in some cases. See section 2 of this Certificate. |
| Regulation: | 39(a)(i) | Conservation measures |
| Comment: | | The product can contribute to satisfying this Regulation; however, compensating fabric measures may be required. See section 6 of this Certificate. |
| Regulation: | 40(2) | Target carbon dioxide emission rate |
| Regulation: | 43B | Nearly zero-energy requirements for new buildings |
| Comment: | | The product can contribute to satisfying these Regulations; however, compensating fabric/services measures may be required. See section 6 of this Certificate. |

Additional Information

NHBC Standards 2023

In the opinion of the BBA, Unilin Safe-R Partial Fill Cavity (SR/CW) Board, if installed, used and maintained in accordance with this Certificate, can satisfy or contribute to satisfying the relevant requirements in relation to *NHBC Standards*, Chapter 6.1 *External masonry walls*.

Fulfilment of Requirements

The BBA has judged Unilin Safe-R Partial Fill Cavity (SR/CW) Board to be satisfactory for use as described in this Certificate. The product has been assessed as for use as partial fill insulation in external cavity walls with masonry inner and outer leaves, in new domestic or non-domestic buildings, with height restrictions in some cases.

ASSESSMENT

Product description and intended use

The Certificate holder provided the following description for the product under assessment. Unilin Safe-R Partial Fill Cavity (SR/CW) Board consists of closed-cell rigid phenolic (PF) foam, faced with a composite foil-facing on both sides.

The product has the nominal characteristics given in Table 1.

Table 1 Nominal characteristics

| | |
|----------------|------------------------------|
| Length (mm) | 1200 |
| Width (mm) | 450 |
| Thickness (mm) | 50, 60, 70, 75, 80, 100, 120 |
| Edge profile | Square |

Application

The product is intended for use as partial fill cavity wall insulation:

- in external cavity walls with masonry inner and outer leaves (where masonry includes clay and calcium silicate bricks, concrete blocks, and natural and reconstituted stone blocks)
- where use of the product is not restricted by its reaction to fire classification (see section 2 of this Certificate); additional requirements apply above 25 m (see section 9.1.18 of this Certificate).

Ancillary Items

The Certificate holder recommends the following ancillary items for use with the product, but these materials have not been assessed by the BBA and are outside the scope of this Certificate.

- Cavity wall ties with insulation-retaining fixings to BS EN 845-1 : 2013.

Product assessment – key factors

The product was assessed for the following key factors, and the outcome of the assessments is shown below. Conclusions relating to the Building Regulations apply to the whole of the UK unless otherwise stated.

1 Mechanical resistance and stability

Not applicable.

2 Safety in case of fire

2.1 Reaction to fire

2.1.1 The product was tested for reaction to fire and the classification is given in Table 2.

Table 2 Reaction to fire classification

| Product assessed | Assessment method | Requirement | Result |
|--|----------------------|----------------|----------|
| Safe-R phenolic foam (PF) board bonded on each side to aluminium foil facers | NF EN 13501-1 : 2013 | Value achieved | D-s1, d0 |

2.1.2 On the basis of data assessed, the product will be restricted in under the documents supporting the national Building Regulations, in some cases.

2.1.3 In England, Wales and Northern Ireland, the product must not be used on buildings with a storey 18 m or more above ground level which contain one or more dwellings, an institution, a room for residential purposes (excluding any room in a hostel, hotel or boarding house in Wales and Northern Ireland only), student accommodation, care homes, sheltered housing, hospitals or dormitories in boarding schools and, additionally in Northern Ireland, nursing homes and places of lawful detention.

2.1.4 In England, Wales and Northern Ireland, the product is unrestricted in terms of proximity to a boundary and, for constructions comprising two leaves of brick or concrete each at least 75 mm thick and with cavities closed around openings and at the top of the wall (with cavity barriers in Northern Ireland), is also unrestricted in terms of height, except for those constructions described in section 2.1.3.

2.1.5 In England, Wales and Northern Ireland, for constructions other than those described in sections 2.1.3 or 2.1.4, the product must not be used on buildings with a floor more than 18 m above ground level, or in England only, it must not be used on residential buildings with a storey 11 m or more in height.

2.1.6 In Scotland, the product should not be used on buildings that have a storey 11 m or more above ground level which contain; a dwelling, a building used as a place of assembly, or as a place of entertainment or recreation, a hospital, residential care building or sheltered housing complex or a shared multi-occupancy residential building.

2.1.7 In Scotland, the product may be used without restriction on height or proximity to a relevant boundary, other than those buildings described in section 2.1.6, provided it is installed in a cavity that is between two leaves of masonry at least 75 mm thick, and which has a cavity barrier around all openings in the wall and at the top of the wall head. For other constructions, the product should not be used on buildings with a storey at a height of 11 m or more above ground level or within 1 m of a boundary.

2.1.8 Designers should refer to the relevant national Building Regulations and guidance for detailed conditions of use, particularly in respect of requirements for substrate fire performance, cavity closers and barriers, fire stopping of service penetrations and combustibility limitations for other materials and components used in the overall wall construction.

3 Hygiene, health and the environment

Data were assessed for the following characteristics.

3.1 Effectiveness against rising damp

3.1.1 The product was tested for short term water absorption by partial immersion and the results are given in Table 3.

Table 3 Short term water absorption by partial immersion

| Product assessed | Assessment method | Requirement | Result |
|---------------------------------|-------------------|----------------|--|
| Safe-R phenolic foam (PF) board | EN 1609 : 1997 | Value achieved | $\leq 1.25 \text{ kg}\cdot\text{m}^{-2}$ |

3.1.2 The product may be used in situations where it bridges the damp proof course (DPC) in walls; dampness from the ground will not pass through to the inner leaf provided the wall is detailed in accordance with the requirements and provisions of the national Building Regulations.

3.2 Water vapour permeability

3.2.1 The product was tested for water vapour permeability and the results are given in Table 4.

Table 4 Water vapour resistance/resistivity

| Material | Assessment method | Requirement | Result |
|----------------------|-----------------------------|----------------|---|
| PF insulation | BS EN 12086 : 1997 | Declared value | $171 \text{ MN}\cdot\text{s}\cdot\text{g}^{-1}\cdot\text{m}^{-1}$ |
| Composite foil facer | PN EN 12086 : 2001 Set C | | $0.71 \text{ MN}\cdot\text{s}\cdot\text{g}^{-1}$ |

4 Safety and accessibility in use

Not applicable.

5 Protection against noise

Not applicable.

6 Energy economy and heat retention

Data were assessed for the following characteristics.

6.1 Thermal conductivity

6.1.1 The product was tested for thermal conductivity and emissivity and the results are given in Table 5.

Table 5 Thermal conductivity and emissivity

| Product assessed | Insulation thickness | Assessment method | Requirement | Result |
|---------------------------------|----------------------|--|--------------------------------|--|
| Safe-R phenolic foam (PF) board | 50 to 99 mm | Thermal conductivity to BS EN 13166 : 2012 | Declared value (λ_D) | 0.021 W·m ⁻¹ ·K ⁻¹ |
| | 100 to 120 mm | | | 0.020 W·m ⁻¹ ·K ⁻¹ |
| Foil facer (unprinted) | - | Aged emissivity to BS EN 15976 : 2011 | Declared value | 0.2 |

6.2 Thermal performance

6.2.1 The U value of a completed wall will depend on the insulation thickness, its structure and its internal finish. Example U-values are given in Table 6.

Table 6 Example U values⁽¹⁾ — partial fill insulation (50 mm residual cavity)

| U value (W·m ⁻² ·K ⁻¹) | Unilin Safe-R Partial Fill Cavity (SR/CW) Board Insulation Thickness (mm) | |
|--|--|---|
| | 100 mm dense block with 13 mm dense plaster ⁽²⁾ | 100 mm AAC block plasterboard on dabs ⁽³⁾ |
| 0.13 | - | 120 mm |
| 0.15 | 120 mm | 100 mm |
| 0.17 | 100 mm | 100 mm |
| 0.18 | 100 mm | 80 mm |
| 0.21 | 80 mm | 70 mm |
| 0.26 | 70 mm | 60 mm |
| 0.28 | 60 mm | 50 mm |
| 0.30 | 60 mm | 50 mm |
| 0.35 | 50mm | 50 mm |

(1) The U value calculations are based on the following:

- wall ties: stainless steel ($\lambda = 17 \text{ W}\cdot\text{m}^{-1}\cdot\text{K}^{-1}$), 2.5 per m², 12.5 mm² cross-section
- 102 mm brick ($\lambda = 0.77 \text{ W}\cdot\text{m}^{-1}\cdot\text{K}^{-1}$)
- 50 mm low e cavity.

(2) 100 mm dense block ($\lambda = 1.13 \text{ W}\cdot\text{m}^{-1}\cdot\text{K}^{-1}$) bridged by mortar (6.6%, $\lambda = 0.88 \text{ W}\cdot\text{m}^{-1}\cdot\text{K}^{-1}$) and 13 mm dense plaster ($\lambda = 0.57 \text{ W}\cdot\text{m}^{-1}\cdot\text{K}^{-1}$)

(3) 100 mm AAC block ($\lambda = 0.12 \text{ W}\cdot\text{m}^{-1}\cdot\text{K}^{-1}$) bridged by mortar (6.6%, $\lambda = 0.88 \text{ W}\cdot\text{m}^{-1}\cdot\text{K}^{-1}$) and 12.5 mm plasterboard ($\lambda = 0.25 \text{ W}\cdot\text{m}^{-1}\cdot\text{K}^{-1}$) on 15 mm dabs (20%, $\lambda = 0.43 \text{ W}\cdot\text{m}^{-1}\cdot\text{K}^{-1}$).

6.2.2 The product can contribute towards a construction satisfying the national Building Regulations in respect of energy economy and heat retention.

6.2.3 For improved energy or carbon savings, designers must consider appropriate fabric and/or services measures.

7 Sustainable use of natural resources

Not applicable.

8 Durability

8.1 The potential mechanisms for degradation and the known performance characteristics of the materials in this product were assessed.

8.2 The product was tested for dimensional stability and the result is given in Table 7.

Table 7 Dimensional stability

| Product assessed | Assessment method | Requirement | Result |
|---------------------------------|---|----------------|---|
| Safe-R phenolic foam (PF) board | Dimensional stability to BS EN 1604 : 1997 (70°C and 90-100% RH for 48 hours) | Value achieved | Length, width and thickness \leq 1.5 % change |

8.3 Service life

Under normal service conditions the product will have a life equivalent to the building in which it is incorporated, provided it is designed, installed and maintained in accordance with this Certificate and the Certificate holder's instructions.

PROCESS ASSESSMENT

Information provided by the Certificate holder was assessed for the following factors:

9 Design, installation, workmanship and maintenance

9.1 Design

9.1.1 The design process was assessed by the BBA, and the following requirements apply in order to satisfy the performance assessed in this Certificate.

9.1.2 External masonry cavity walls must be designed and constructed in accordance with the relevant recommendations of:

- BS 5250 : 2021
- BS 8000-3 : 2001
- BS EN 845-1 : 2013
- BS EN 1996-1-1 : 2005 and its UK National Annex
- BS EN 1996-1-2 : 2005 and its UK National Annex
- BS EN 1996-2 : 2006 and its UK National Annex
- BS EN 1996-3 : 2006 and its UK National Annex.

9.1.3 As with other forms of cavity wall insulation, where buildings need to comply with the *NHBC Standards 2023*, specifiers must observe the requirements of that document.

9.1.4 Cavity wall ties with insulation-retaining fixings and, if required, any additional ties to BS EN 845-1 : 2013 must be used for structural stability in accordance with BS EN 1996-1-1 : 2005, BS EN 1996-2 : 2006 and BS EN 1996-3 : 2006, and their UK National Annexes.

9.1.5 Care must be taken in the overall design and construction of walls incorporating the product to ensure the provision of appropriate:

- cavity trays and DPCs

- cavity barriers
- resistance to the ingress of precipitation, moisture and dangerous gases from the ground
- resistance to sound transmission when flanking separating walls and floors.

9.1.6 Provided that external masonry cavity walls are designed and constructed to incorporate the precautions in this Certificate to prevent moisture penetration, the product will resist the transfer of precipitation to the inner leaf.

9.1.7 Window and door opening reveals must be constructed incorporating a cavity barrier/closer/DPC, as required.

9.1.8 The detailed provisions given in the documents supporting the national Building Regulations for when the system is installed in close proximity to certain flue pipes and/or heat-producing appliances must be followed.

9.1.9 Calculations of the thermal transmittance (U value) of a wall must be carried out in accordance with BS EN ISO 6946 : 2017 and BRE Report BR 443 : 2019.

9.1.10 Care must be taken in the overall design and construction of junctions with other elements and openings to minimise thermal bridges and air infiltration. Detailed guidance can be found in the documents supporting the national Building Regulations.

Interstitial condensation

9.1.11 Walls will adequately limit the risk of interstitial condensation when they are designed and constructed in accordance with BS 5250 : 2021.

9.1.12 If the product is to be used in the external wall of rooms expected to have high humidity, care must be taken to provide adequate permanent ventilation to avoid possible problems from the formation of interstitial condensation.

Surface condensation

9.1.13 In England and Wales, walls will adequately limit the risk of surface condensation when the thermal transmittance (U value) does not exceed $0.7 \text{ W}\cdot\text{m}^{-2}\cdot\text{K}^{-1}$ at any point, and the junctions with other elements are designed in accordance with the guidance referred to in section 9.1.10 of this Certificate.

9.1.14 For buildings in Scotland, wall constructions will be acceptable when the thermal transmittance (U value) does not exceed $1.2 \text{ W}\cdot\text{m}^{-2}\cdot\text{K}^{-1}$ at any point, and the junctions with other elements are designed in accordance with the guidance referred to in BS 5250 : 2021. Further guidance may be obtained from BRE Report BR 262 : 2002 and section 9.1.10 of this Certificate.

Buildings up to and including 25 metres high (see also section 2 of this Certificate)

9.1.15 The residual cavity width to be maintained during construction is 50 mm. This may reduce to 25 mm in isolated areas due to individual construction features (a minimum of 50 mm residual cavity width is required by the NHBC⁽¹⁾). This may be achieved by designing a cavity width which takes into account the dimensional tolerances of the components which make up the wall (by reference to the British Standards relating to the bricks, blocks and boards, or by using the data from the respective manufacturers). Allowances may need to be made for the quality of building operatives and the degree of site supervision or control available. The limitations in respect of exposure of the proposed building as set out in Table 8 must also be observed.

(1) The NHBC requirement for a residual cavity width is increased to 75mm in areas of very severe exposure where the outer leaf is fairfaced masonry

Table 8 Maximum allowable exposure index $E^{(1)}$

| Construction | Maximum allowable exposure index $E^{(1)}$ |
|---|--|
| All external masonry walls protected by: rendering (to BS EN 13914-1 : 2016), tile hanging, slate hanging, or timber, plastic or metal weatherboarding or cladding | No restriction |
| One or more external masonry walls constructed from facing clay brickwork or natural stone, the porosity of which exceeds 20% by volume. Mortar joints must be flush pointed or weatherstruck | 100 |
| One or more external masonry walls constructed from calcium silicate bricks, concrete blocks, reconstituted stone, or natural stone, the porosity of which is less than 20% by volume, or any material with raked mortar joints | 88 |

(1) To BS 5618 : 1985.

9.1.16 From ground level, the maximum height of continuous cavity walls must not exceed 12 metres; above 12 metres, the maximum height of continuous cavity walls must not exceed 7 metres. In both cases, breaks should be in the form of continuous horizontal cavity trays and weepholes discharging to the outside.

9.1.17 An external render coat or other suitable finish must be applied in locations where such application would be normal practice; care must be taken to ensure that the residual cavity is not bridged by mortar.

Buildings over 25 metres in height (see also section 2 of this Certificate)

9.1.18 The width of the residual clear cavity to be achieved must be in excess of 50 mm, and the following additional requirements apply in addition to those stated in 9.1.15 to 9.1.17:

- the specifier must take extra care when detailing to ensure that the introduction of the insulation does not affect the weather resistance of the wall. Above average site supervision is recommended during installation of the product.
- where, for structural reasons, the cavity width is reduced, eg by the intrusion of ring beams, a minimum residual cavity width of 25 mm must be maintained and extra care must be taken with fixings and weatherproofing, eg the inclusion of cavity trays with weepholes.

9.2 Installation

9.2.1 Installation instructions provided by the Certificate holder were assessed and judged to be appropriate and adequate.

9.2.2 Installation must be carried out in accordance with this Certificate and the Certificate holder's instructions. A summary of instructions and guidance is provided in Annex A.

9.2.3 The inner leaf must be constructed ahead of the outer leaf, as the boards are fastened to the cavity face of the inner leaf. It is essential that the spacing of wall ties/clips allows one long edge of each board to be secured at a minimum of two points.

9.2.4 Vertical joints in the boards must be staggered and all joints tightly butted. Where protrusions occur in the cavity, the boards should be carefully cut to fit.

9.2.5 If installation of the boards is terminated below the highest level of the wall, the top edge of the insulation must be protected by a cavity tray and alternate perpend joints raked out to provide adequate drainage of water from the tray.

9.2.6 In all situations, it is particularly important to ensure during installation that:

- installation is carried out to the highest level on each wall or the top edge of the insulation is protected by a cavity tray
- cavity trays are used with appropriate stop ends and weepholes at lintel level
- cavity battens and/or boards are used during construction to prevent bridging by mortar droppings

- wall ties are installed correctly and are thoroughly clean
- excess mortar is cleaned from the cavity face of the leading leaf and any debris removed from the cavity
- mortar droppings are cleaned from the exposed edges of installed boards
- insulation boards are properly installed and either butt jointed, or interlocked using the tongue and groove or rebated edges
- the DPC at ground level does not project into the cavity, as it can form a trap for mortar bridging
- raked or recessed mortar joints are avoided in very severe exposure areas.

9.3 Workmanship

Practicability of installation was assessed by the BBA, on the basis of the Certificate holder's information. To achieve the performance described in this Certificate, installation of the product must be carried out by a competent general builder, or a contractor, experienced with this type of product.

9.4 Maintenance and repair

As the product is confined within the wall cavity and has suitable durability, maintenance is not required.

10 Manufacture

10.1 The production processes for the product have been assessed, and provide assurance that the quality controls are satisfactory according to the following factors:

10.1.1 The manufacturer has provided documented information on the materials, processes, testing and control factors.

10.1.2 The quality control operated over batches of incoming materials has been assessed and deemed appropriate and adequate.

10.1.3 The quality control procedures and product testing to be undertaken have been assessed and deemed appropriate and adequate.

10.1.4 The process for management of non-conformities has been assessed and deemed appropriate and adequate.

10.1.5 An audit of each production location was undertaken, and it was confirmed that the production process was in accordance with the documented process, and that equipment has been properly tested and calibrated.

†10.2 The BBA has undertaken to review the above measures on a regular basis through a surveillance process, to verify that the specifications and quality control operated by the manufacturer are being maintained.

11 Delivery and site handling

11.1 The Certificate holder stated that the product is delivered to site in packaging bearing the product name, Certificate holder's name, batch number and BBA Certificate number.

11.2 Delivery and site handling must be performed in accordance with the Certificate holder's instructions and this Certificate, including:

11.2.1 The product must be protected from prolonged exposure to sunlight, and must be stored under cover or protected with opaque polythene sheeting. Where possible, packs should be stored inside. If stored outside, the product must be stacked flat, and raised above ground level to avoid contact with ground moisture.

11.2.2 The product is light and easy to handle and care must be taken to avoid crushing the edges or corners. If damaged, the product must be discarded.

11.2.3 The product must not be exposed to open flame or other ignition sources, or to solvents or other chemicals.

Supporting information in this Annex is relevant to the product but has not formed part of the material assessed for the Certificate.

Construction (Design and Management) Regulations 2015

Construction (Design and Management) Regulations (Northern Ireland) 2016

Information in this Certificate may assist the client, designer (including Principal Designer) and contractor (including Principal Contractor) to address their obligations under these Regulations.

UKCA marking

The Certificate holder has taken the responsibility of UKCA marking the product in accordance with Designated Standard EN 13166 : 2012.

CE marking

The Certificate holder has taken the responsibility of CE marking the product in accordance with harmonised European Standard EN 13166 : 2012.

Management Systems Certification for production

The management system of the manufacturer has been assessed and registered as meeting the requirements of BS EN ISO 9001 : 2015 and BS EN ISO 14001 : 2015 by BRE Certification Ltd (Certificate 718 and EMS 718 respectively).

Additional information on installation

Installation must be in accordance with the Certificate holder's instructions and this Certificate. A summary of the procedure is provided below:

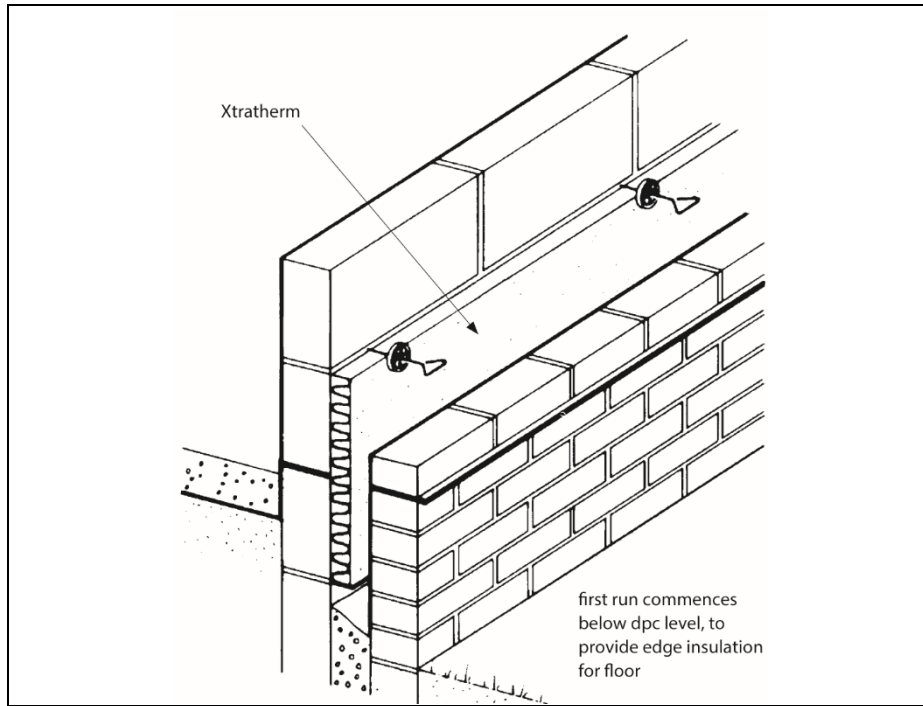
A.1 The Certificate holder will provide on-site demonstrations on request, to ensure correct installation from the outset.

A.2 Adequate supervision of the installation must be maintained, and the Certificate holder must have right of access to site to ensure correct installation.

Procedure

A.3 A section of the inner leaf is built, with the first row of wall ties, at approximately 600 mm horizontal spacing, where the insulation is to begin. The wall ties must not be placed directly on the DPC. The first run of boards should commence below the DPC level to provide some edge insulation for the floor (see Figure 1).

Figure 1 First run of boards

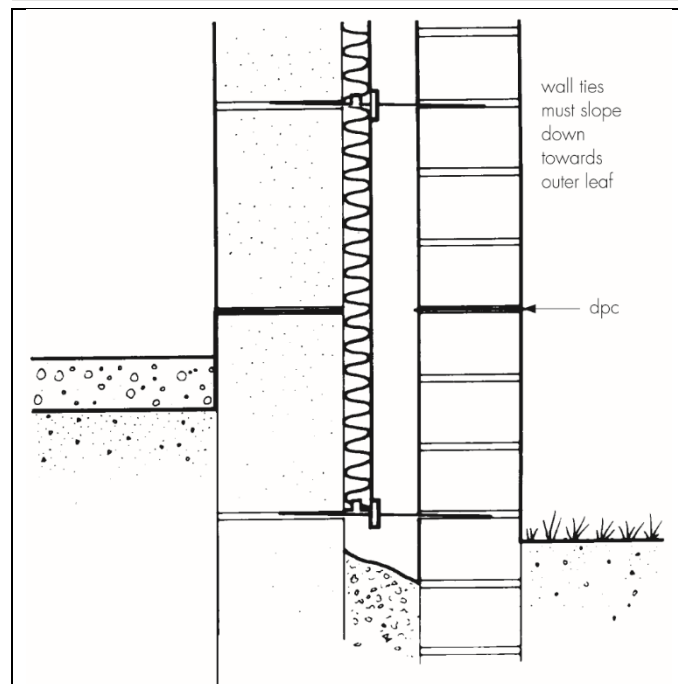


A.4 The leading leaf is then built up to the required height, with wall ties placed at a vertical spacing of 450 mm, ensuring the drip of the tie is located halfway across the residual cavity width. Excess mortar must be cleaned from the cavity face of the leading leaf, and the boards placed on the wall ties behind the retaining clips, to form a closely butt-jointed run.

A.5 The second row of wall ties is fitted to retain the tops of the boards. It is essential that all wall ties slope downwards towards the outer leaf (see Figure 2) and are placed at centres not exceeding 900 mm⁽¹⁾, to ensure that each board is secured at a minimum of three points. It is also important that the first row of insulation boards is not in contact with the ground.

(1) Where buildings need to comply with *NHBC Standards 2023*, the spacing should be no more than 600 mm.

Figure 2 Detail of wall ties



A.6 Additional ties may be required to satisfy the structural requirements of BS EN 845-1 : 2013, BS EN 1996-1-1 : 2005, BS EN 1996-2 : 2006 and BS EN 1996-3 : 2006 to ensure adequate retention of boards or cut pieces.

A.7 The other leaf is built up to the level of the top of the boards.

A.8 All boards should be close-butted together, with vertical joints staggered. Insulation boards and wall ties must be staggered as construction proceeds and carried up to the highest level of the wall, except where protected by a cavity tray.

Mortar droppings

A.9 After each section of the leading leaf is built, excess mortar must be removed from the cavity face, and mortar droppings cleaned from exposed edges of the installed board, before installation of the next run of boards. Use of a cavity board or a cavity batten will protect the installed board edges and help to keep the cavity clean as the following leaf is built (see Figures 3 and 4).

Figure 3 Use of cavity batten

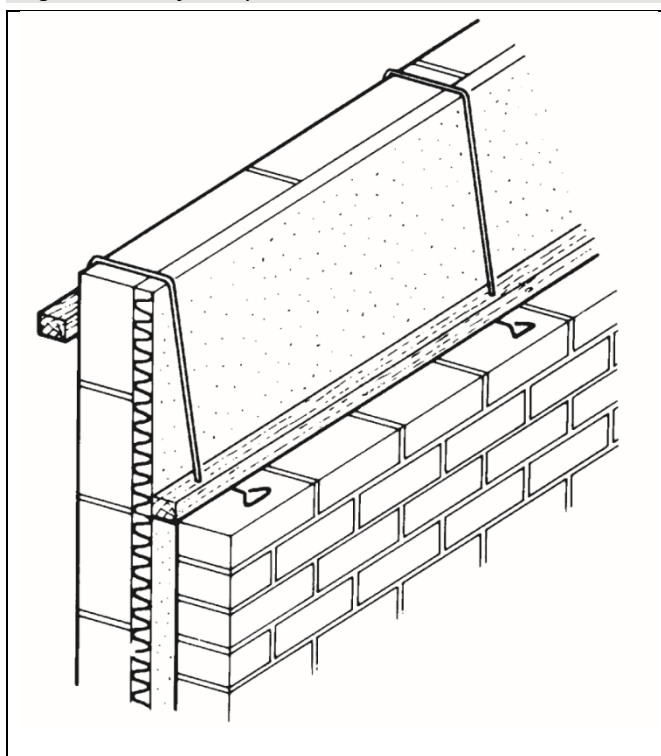
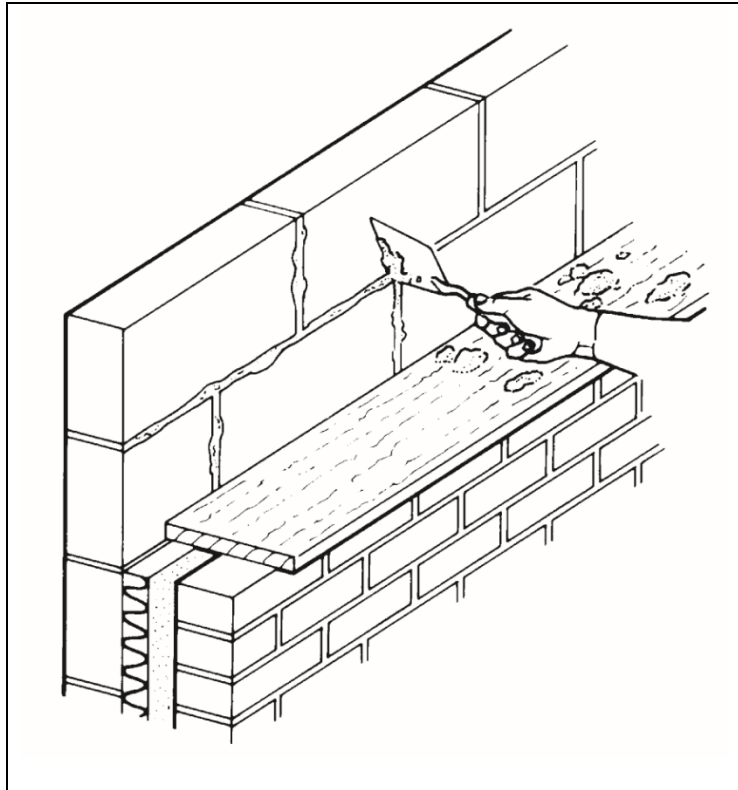


Figure 4 Use of cavity board



Wall openings

A.10 Where openings such as doors and windows are in close proximity, it is recommended that a continuous lintel or cavity tray is used. Individual lintels or cavity trays should have stopends and be adequately drained. Insulation boards must be cut to butt tightly against the cavity barrier/closer/DPC.

Cut pieces

A.11 The product can be cut using a sharp knife or fine-toothed saw to fit openings, eg around windows, doors and airbricks. It is essential that cut pieces completely fill the spaces for which they are intended and are adequately secured.

Protection

A.12 Exposed areas of boards must always be covered at the end of a day's work or during rainfall.

A.13 All building involving the product, particularly interrupted work, must conform to the relevant sections of BS EN 1996-2 : 2006.

Bibliography

- BRE Report BR 262 : 2002 *Thermal insulation : avoiding risk*
- BRE Report BR 443 : 2019 *Conventions for U-value calculations*
- BS 5250 : 2021 *Code of practice for control of condensation in buildings*
- BS 5618 : 1985 *Code of practice for thermal insulation of cavity walls (with masonry or concrete inner and outer leaves) by filling with urea-formaldehyde (UF) foam systems*
- BS 8000-3 : 2001 *Workmanship on building sites — Code of practice for masonry*
- BS EN 845-1 : 2013 + A1 : 2016 *Specification for ancillary components for masonry — Wall ties, tension straps, hangers and brackets*
- BS EN 1604 : 1997 *Thermal insulating products for building applications. Determination of dimensional stability under specified temperature and humidity conditions*
- BS EN 1996-1-1 : 2005 + A1 : 2012 *Eurocode 6 Design of masonry structures — General rules for reinforced and unreinforced masonry structures*
NA to BS EN 1996-1-1 : 2005 + A1 : 2012 *UK National Annex to Eurocode 6 — Design of masonry structures — General rules for reinforced and unreinforced masonry structures*
- BS EN 1996-1-2 : 2005 *Eurocode 6. Design of masonry structures — General rules — Structural fire design*
NA to BS EN 1996-1-2 : 2005 *UK National Annex to Eurocode 6 — Design of masonry structures — General rules — Structural fire design*
- BS EN 1996-2 : 2006 *Eurocode 6 — Design of masonry structures — Design considerations, selection of materials and execution of masonry*
NA to BS EN 1996-2 : 2006 *UK National Annex to Eurocode 6 — Design of masonry structures — Design considerations, selection of materials and execution of masonry*
- BS EN 1996-3 : 2006 *Eurocode 6 — Design of masonry structures — Simplified calculation methods for unreinforced masonry structures*
NA to BS EN 1996-3 : 2006 *UK National Annex to Eurocode 6 — Design of masonry structures — Simplified calculation methods for unreinforced masonry structures*
- BS EN 12086 : 1997 *Thermal insulating products for building applications. Determination of water vapour transmission properties*
- BS EN 13166 : 2012 + A2 : 2016 *Thermal insulation products for buildings — Factory made phenolic foam (PF) products — Specification*
- BS EN 13914-1 : 2016 *Design, preparation and application of external rendering and internal plastering — External rendering*
- BS EN 15976 : 2011 *Flexible sheets for waterproofing. Determination of emissivity*
- BS EN ISO 6946 : 2017 *Building components and building elements — Thermal resistance and thermal transmittance — Calculation method*
- BS EN ISO 9001 : 2015 *Quality management systems — Requirements*
- BS EN ISO 14001 : 2015 *Environmental management systems — Requirements with guidance for use*
- EN 1609 : 1997 *Thermal insulating products for building applications — Determination of dimensional short term water absorption by partial immersion*
- NF EN 13501-1 : 2013 *Fire classification of construction products and building elements — Classification using test data from reaction to fire tests*

Conditions of Certificate

Conditions

1 This Certificate:

- relates only to the product that is named and described on the front page
- is issued only to the company, firm, organisation or person named on the front page – no other company, firm, organisation or person may hold or claim that this Certificate has been issued to them
- is valid only within the UK
- has to be read, considered and used as a whole document – it may be misleading and will be incomplete to be selective
- is copyright of the BBA
- is subject to English Law.

2 Publications, documents, specifications, legislation, regulations, standards and the like referenced in this Certificate are those that were current and/or deemed relevant by the BBA at the date of issue or reissue of this Certificate.

3 This Certificate will be displayed on the BBA website, and the Certificate Holder is entitled to use the Certificate and Certificate logo, provided that the product and its manufacture and/or fabrication, including all related and relevant parts and processes thereof:

- are maintained at or above the levels which have been assessed and found to be satisfactory by the BBA
- continue to be checked as and when deemed appropriate by the BBA under arrangements that it will determine
- are reviewed by the BBA as and when it considers appropriate.

4 The BBA has used due skill, care and diligence in preparing this Certificate, but no warranty is provided.

5 In issuing this Certificate the BBA is not responsible and is excluded from any liability to any company, firm, organisation or person, for any matters arising directly or indirectly from:

- the presence or absence of any patent, intellectual property or similar rights subsisting in the product or any other product
- the right of the Certificate holder to manufacture, supply, install, maintain or market the product
- actual installations of the product, including their nature, design, methods, performance, workmanship and maintenance
- any works and constructions in which the product is installed, including their nature, design, methods, performance, workmanship and maintenance
- any loss or damage, including personal injury, howsoever caused by the product, including its manufacture, supply, installation, use, maintenance and removal
- any claims by the manufacturer relating to UKCA marking and CE marking.

6 Any information relating to the manufacture, supply, installation, use, maintenance and removal of this product which is contained or referred to in this Certificate is the minimum required to be met when the product is manufactured, supplied, installed, used, maintained and removed. It does not purport in any way to restate the requirements of the Health and Safety at Work etc. Act 1974, or of any other statutory, common law or other duty which may exist at the date of issue or reissue of this Certificate; nor is conformity with such information to be taken as satisfying the requirements of the 1974 Act or of any statutory, common law or other duty of care.

British Board of Agrément

1st Floor, Building 3, Hatters Lane
Croxley Park, Watford
Herts WD18 8YG

©2023

tel: 01923 665300
clientservices@bbacerts.co.uk
www.bbacerts.co.uk