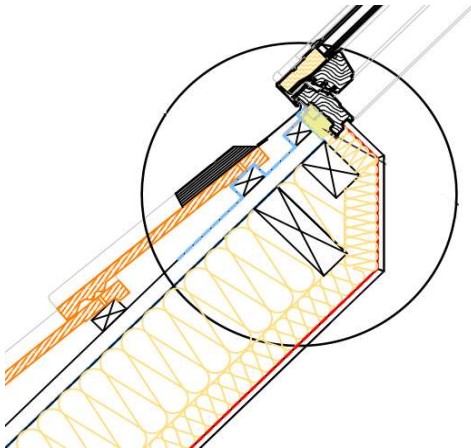
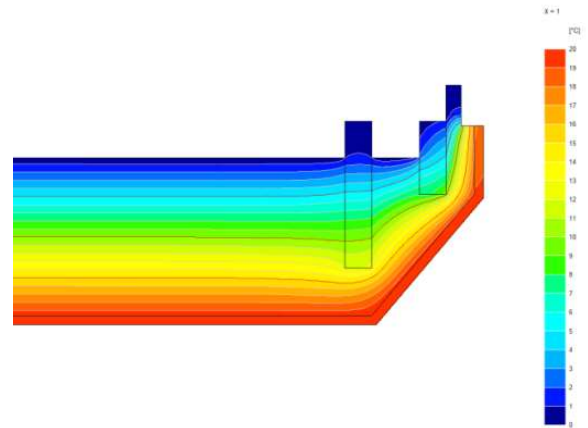


Technical competency: The Psi value (Ψ) analysis indicated below has been undertaken by a NSAI accredited competent person to EN 10211 2017 and BR497 (Second Edition).

Certificate No	Date
UI-GEN-R2-Sill-01 V1	12-Apr-23
General Construction Specification (Roof)	
Tile/Slate	
Breathable membrane	
Air layer between rafters	
Unilin Insulation between rafters	
Unilin Insulation below rafters	
Vapour control layer	
Plasterboard	
Table K1 reference	
R2	
U value range (Roof)	
0.11 W/m ² K - 0.16 W/m ² K	
Ψ (Linear Thermal Transmittance W/m/K)	
0.060	
Junction detail	



Certificate prepared by
Unilin Insulation Technical Services
General Construction Specification (Window)
Keylite window
Keylite Thermal Collar included in the model
20 x 40mm @ $\lambda = 0.025$ W/m.K
Description
Roof window
f (Temperature Factor)
0.92
Thermal image



Notes

The U values indicated on this certificate are the actual U values for the proposed construction. The Psi values are calculated using the modelled U value in Ψ and f are only valid for the detail drawn and described above

Calculations have been carried out in accordance with the following standards and guidance documents were relevant

EN ISO 10211 2017	BR 497 (Second Edition)
EN ISO 13370 2017	BR 443 2019
EN ISO 6946 2017	BRE IP1/06

Unilin Insulation UK Ltd

Park Road
Holmewood
Chesterfield
Derbyshire
S42 5UY

t. 0371 2221055
f. 0371 2221044
e. info.ui@unilin.com
www.unilininsulation.co.uk

Disclaimer: The calculations have been completed in accordance with guidance documents as indicated above on Unilin Insulation's behalf. Any change to the materials specified would alter the results achieved and would invalidate the information contained herein. Specification and results should be verified before installation. To this extent the information and/or specification is to the best of our knowledge accurate, however Unilin Insulation specifically exclude any liability for errors, omissions or otherwise arising therefrom.